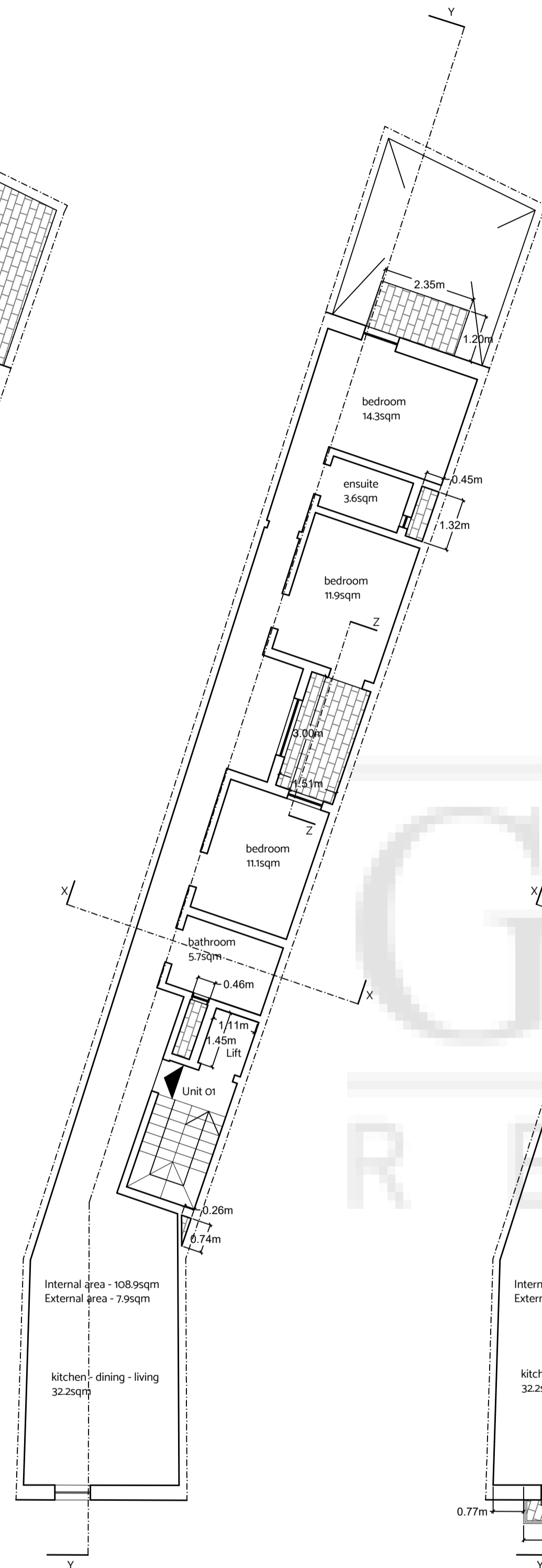
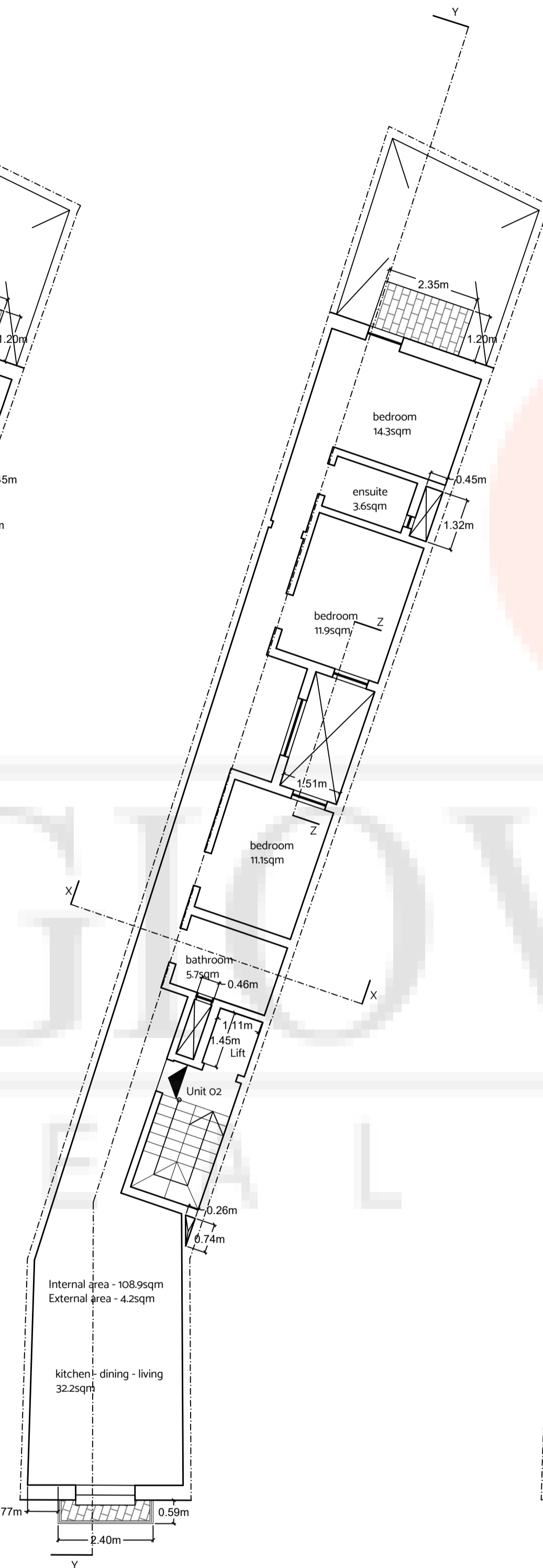


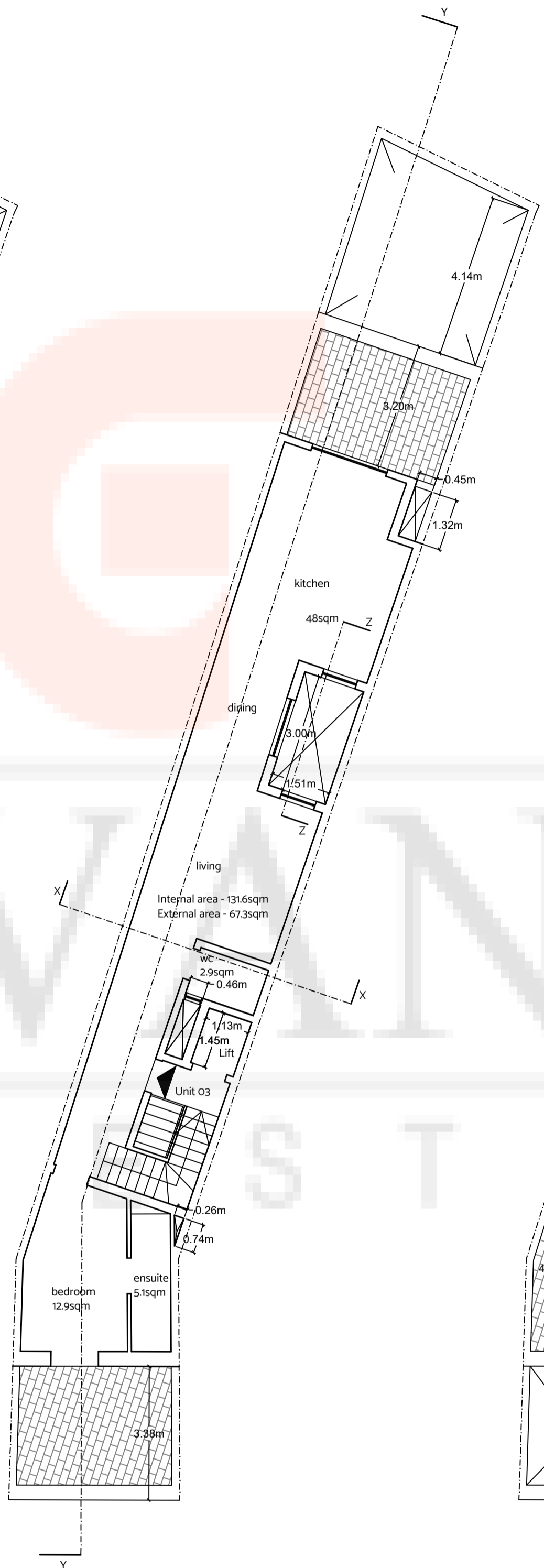
Proposed semi-basement level plan
clean copy



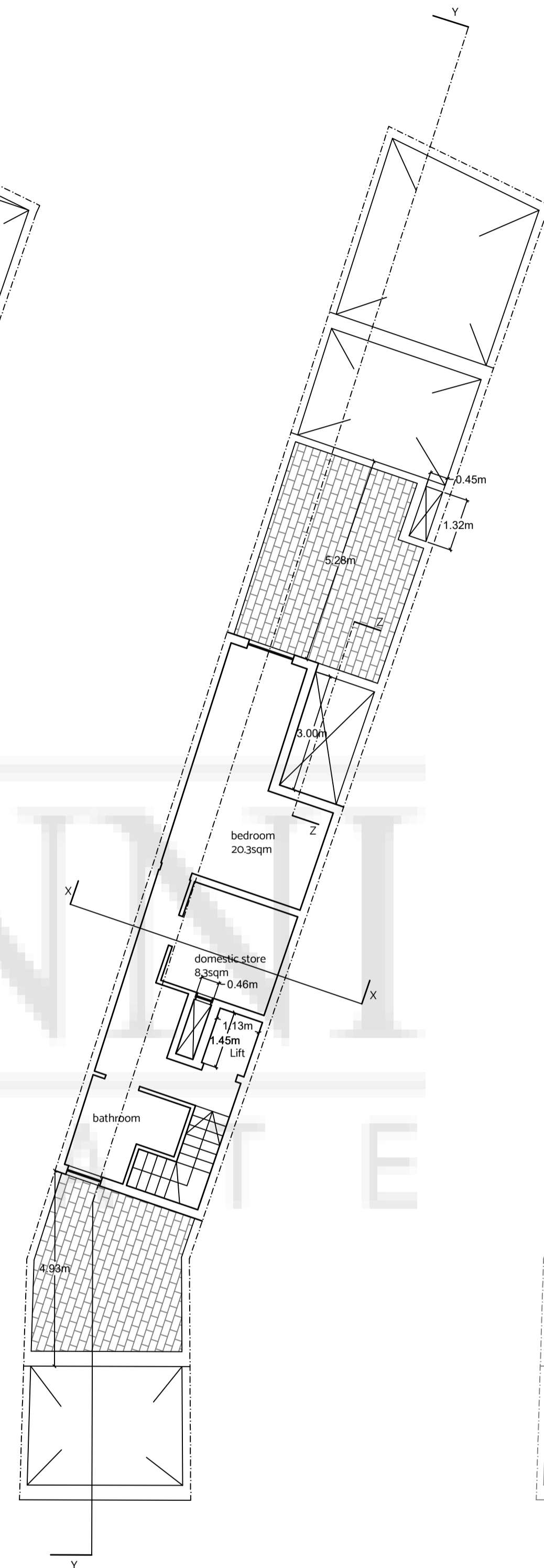
Proposed ground floor level plan
clean copy



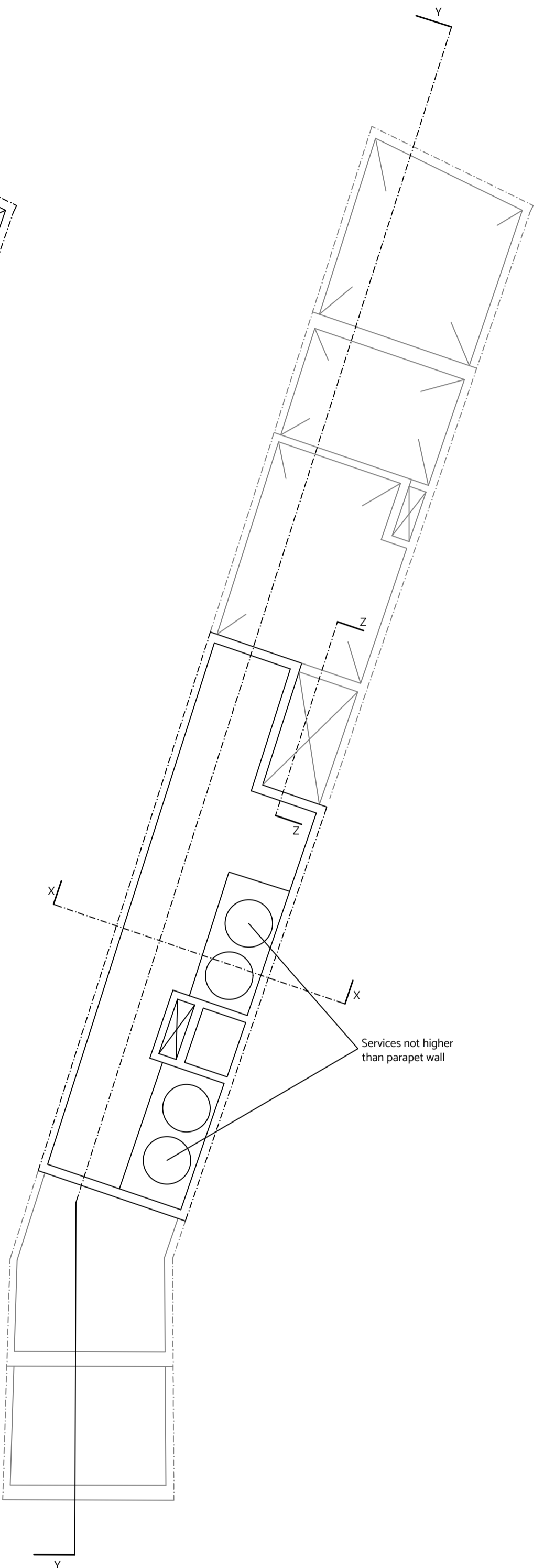
Proposed first floor level plan
clean copy



Proposed second floor level plan
clean copy



Proposed receded floor level plan
clean copy



Proposed roof level plan
clean copy

