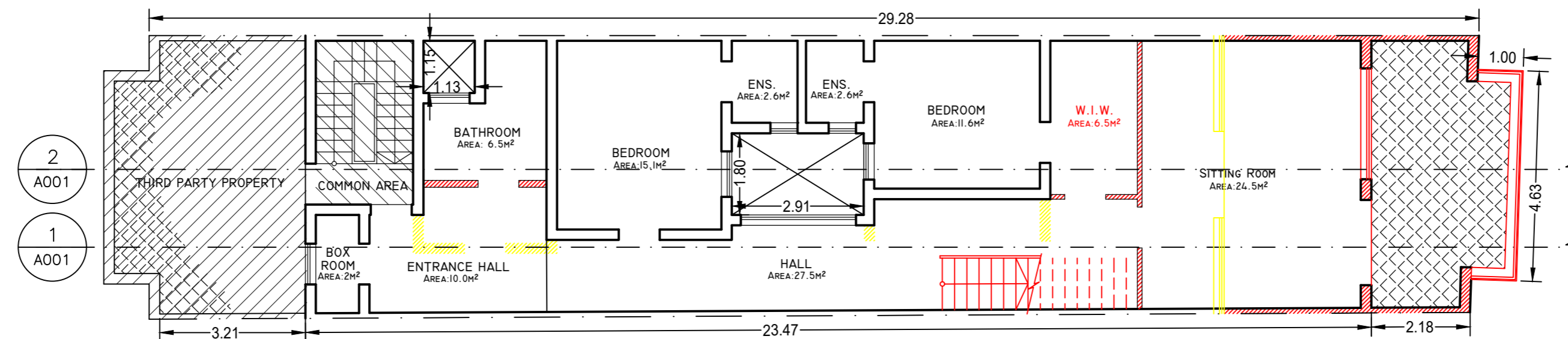
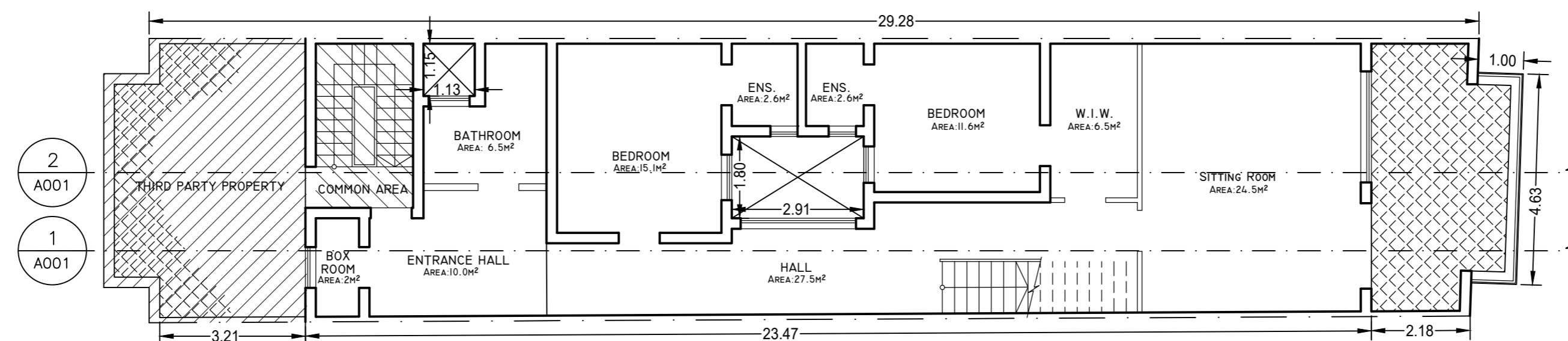


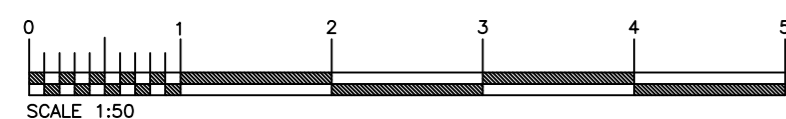
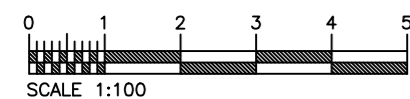
1 APPROVED SECOND FLOOR PLAN  
A001-1 SCALE 1:100

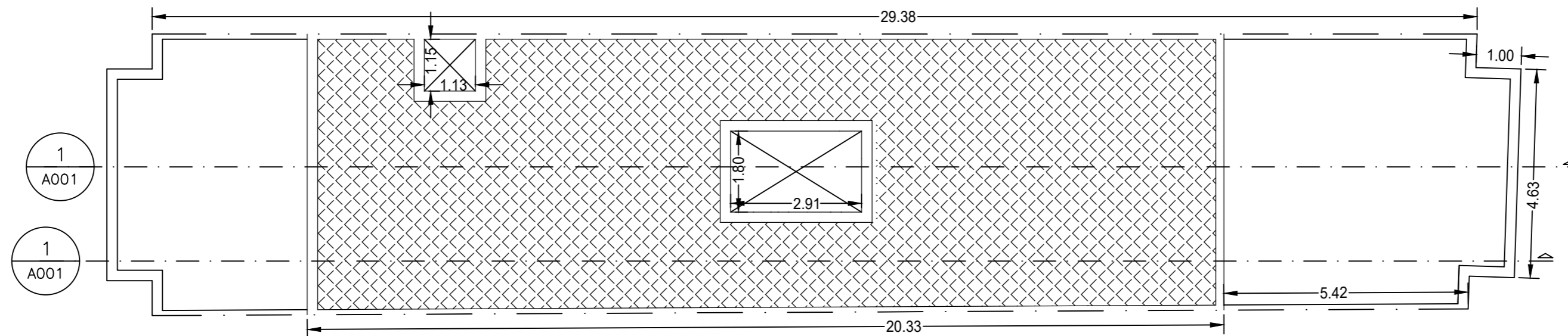


2 PROPOSED SECOND FLOOR PLAN  
A001-1 COLOUR CODED SCALE 1:100

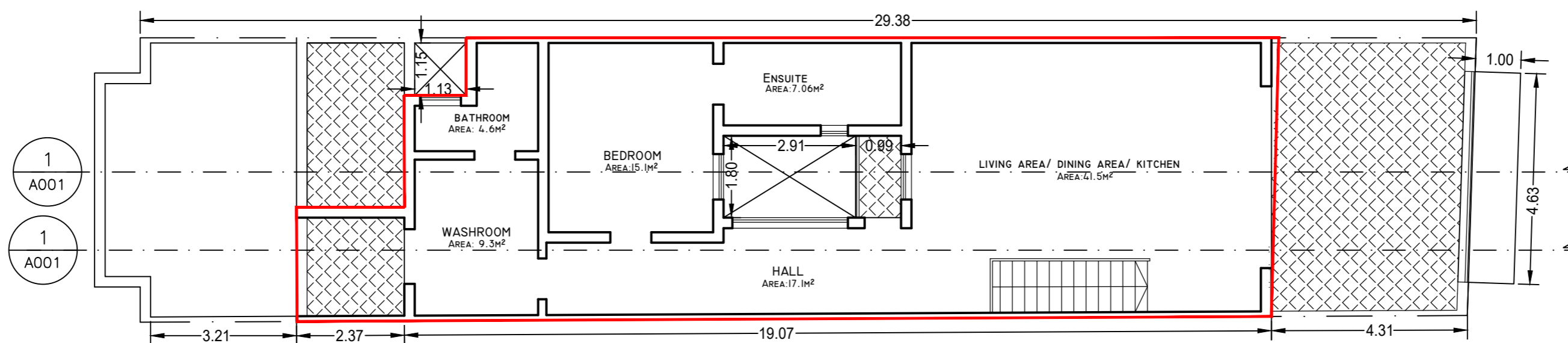


3 PROPOSED SECOND FLOOR PLAN  
A001-1 CLEAN COPY SCALE 1:100

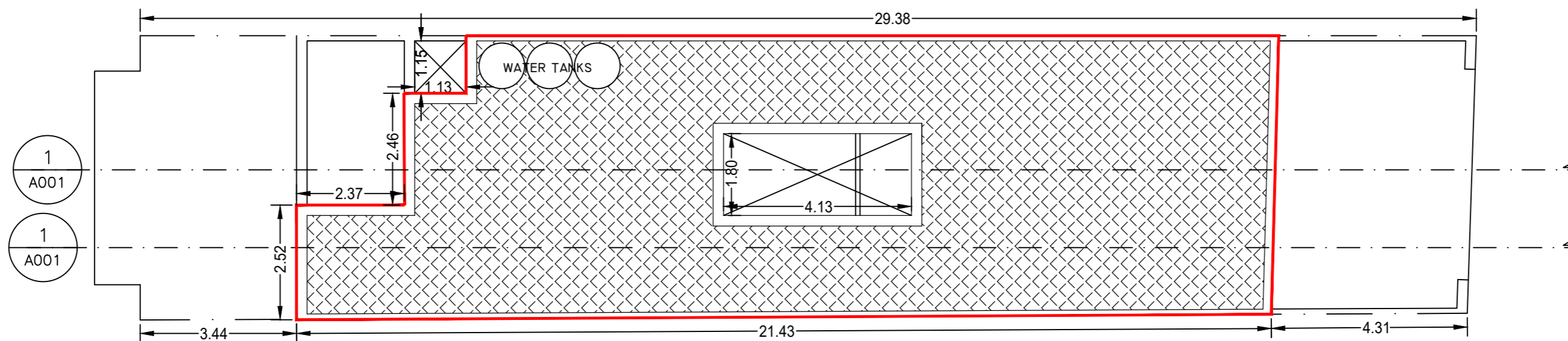




1 EXISTING ROOF FLOOR PLAN  
SCALE 1:100



2 PROPOSED SETBACK FLOOR PLAN  
SCALE 1:100



3 PROPOSED ROOF FLOOR PLAN  
SCALE 1:100

