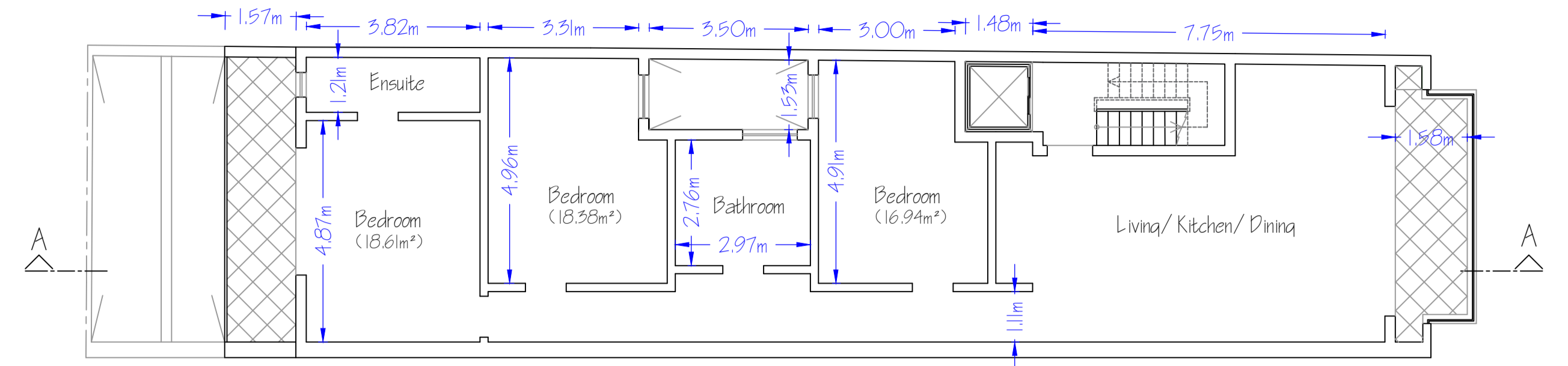
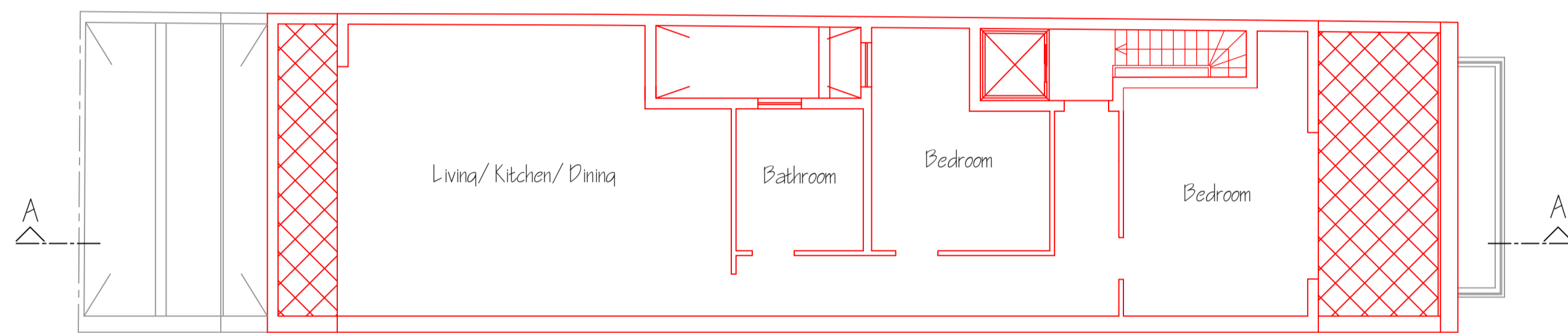
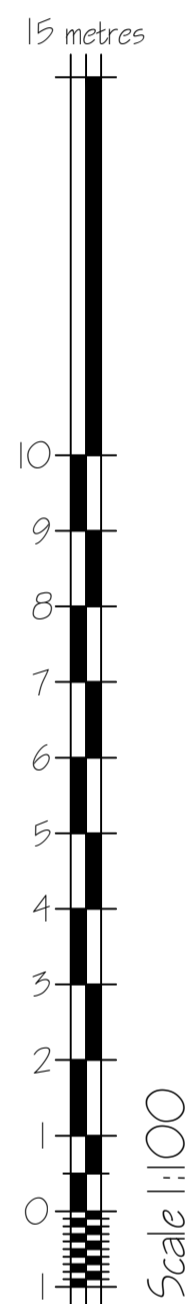


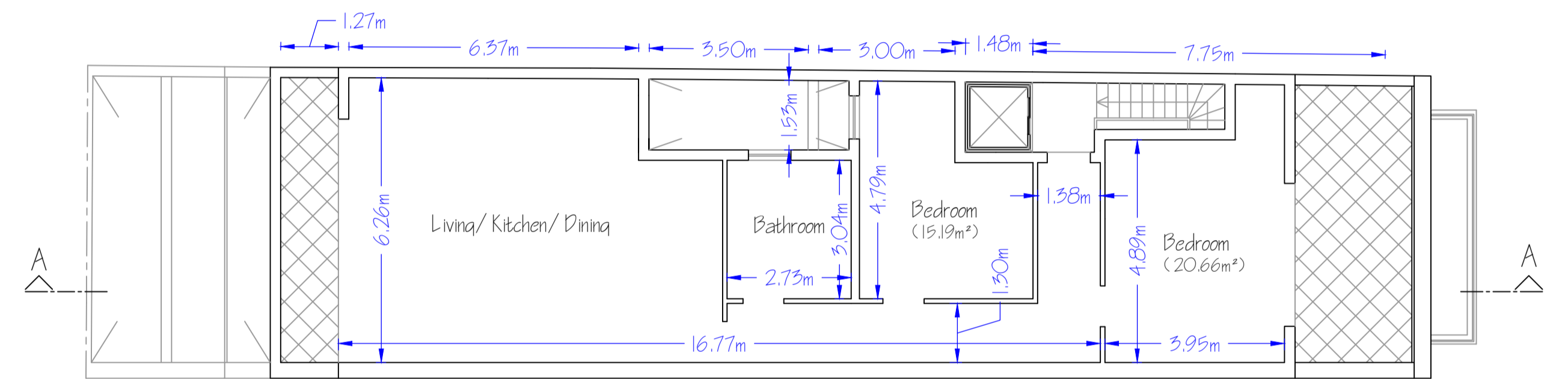
Third Floor
(As proposed)



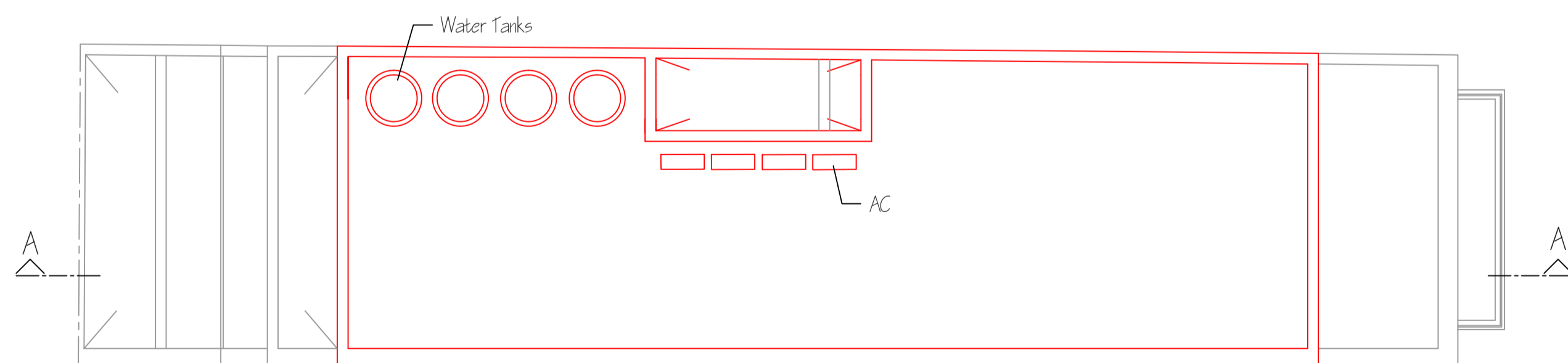
Third Floor
(Clean copy)
(Gross Floor Area = 175.82m²)



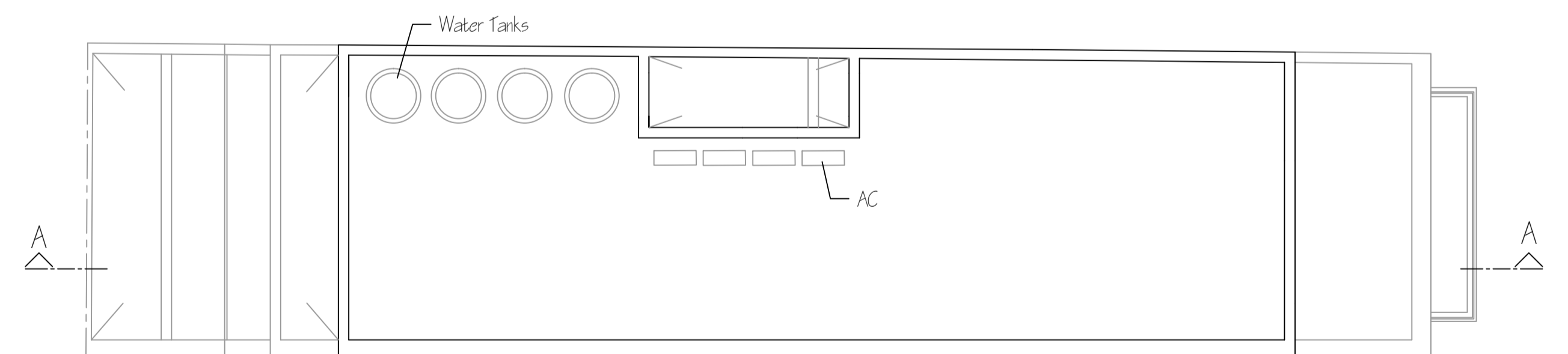
Recessed Fourth Floor
(As proposed)



Recessed Fourth Floor
(Clean copy)
(Gross Floor Area = 162.25m²)

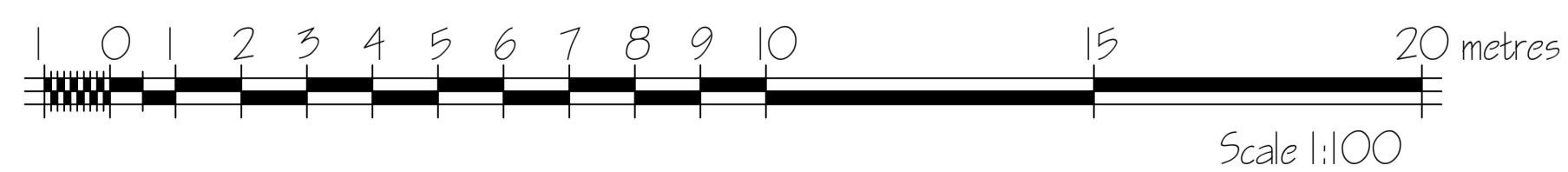


Roof Plan
(As proposed)



Roof Plan
(Clean copy)

To construct



Notes: